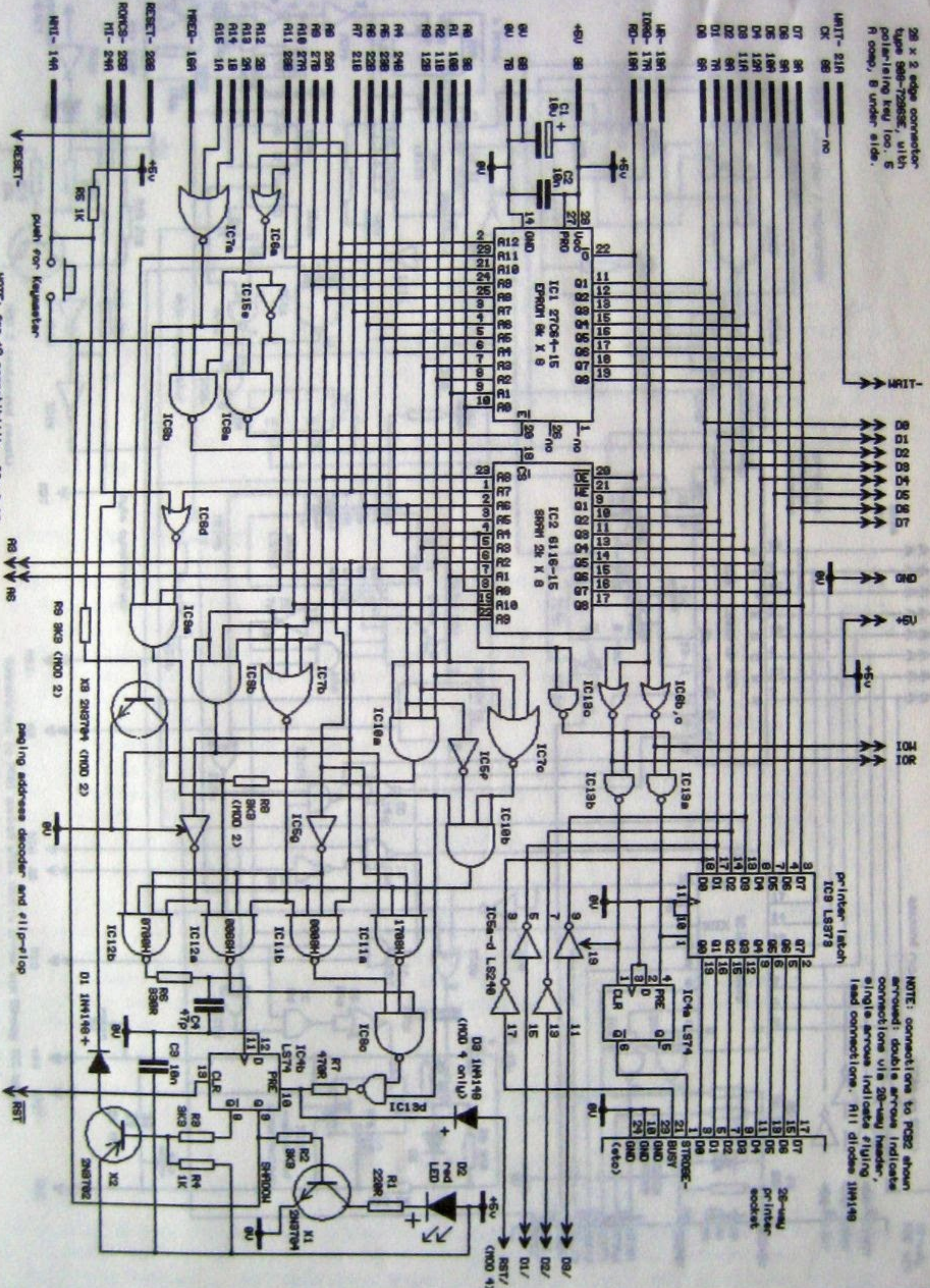


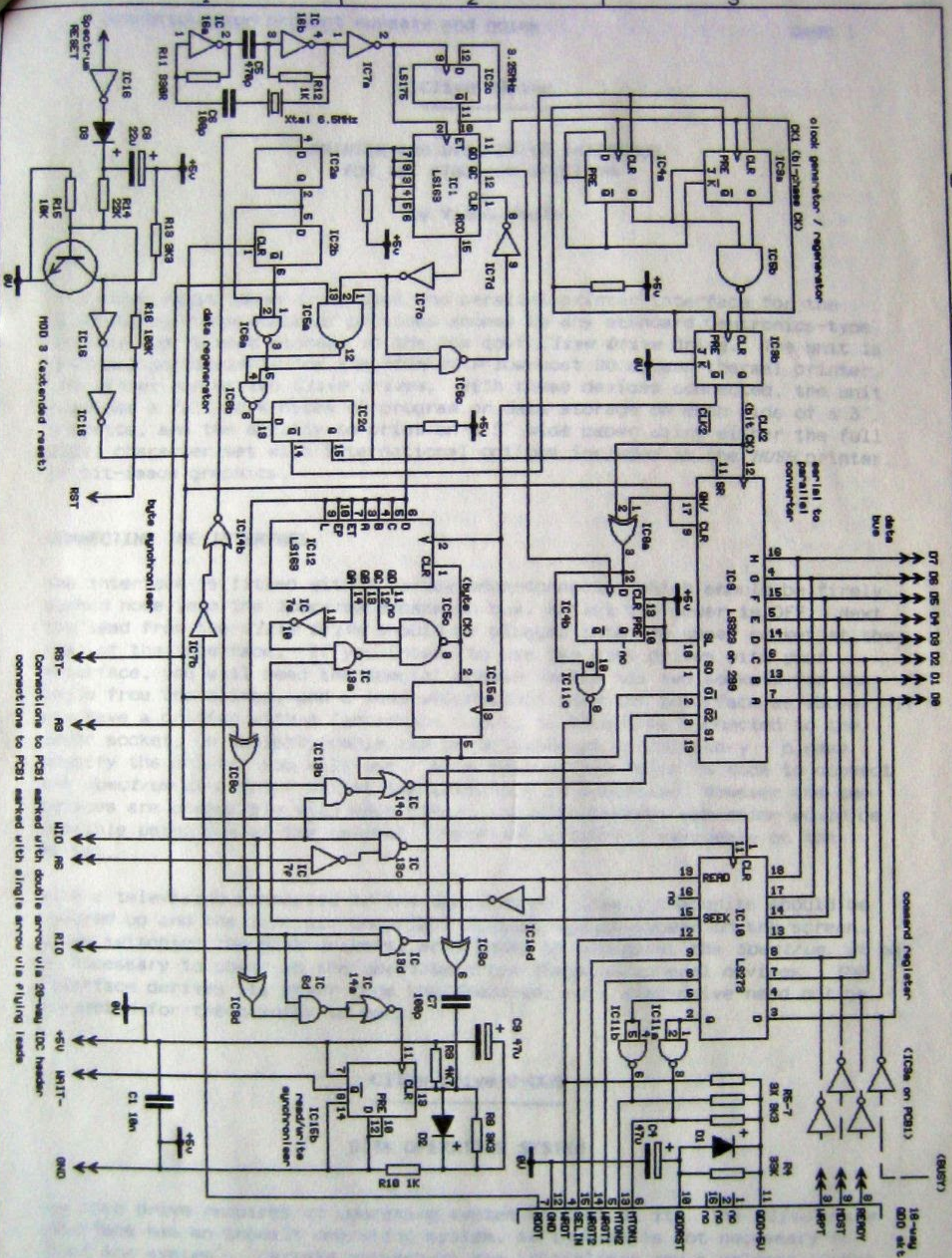
28 x 2 edge connector
type 986-72953E, with
polarizing key loc. 5
R comp, B under side.



NOTE: for +2 compatibility, ICs 8-13
should be of the faster ALS type.

NOTE: connections to PCB2 shown
arrowed; double arrow indicates
connections via 28-way header,
single arrows indicate flying
lead connections. All diodes 1N4148

ISSUE MOD 4	DESCRIPTION generally +2 compatible	DATE 8/5/88	APPR	MICROLITE electronic design and prototyping	DRAWN MEB DATE 3/5/89 SCALE APPR
CLIVE DRIVE PCB1 interface board				DRAWING NO. CLIVE1.SCH	



ISSUE	DESCRIPTION	DATE	APPR	MICROLITE	electronic design and prototyping	DRAWN MEB
	Includes modifications to initial design to improve Spectrue 128k +2 compatibility, not all of which may be supported on board					DATE 5/5/89
						SCALE
						APPR
						DRAWING NO.
						CLIVE2.SCH

"Clive Drive"

"PEEK-POKER"

Overlay utility for the Clive Drive

by Video Vault

Extend the Keymaster facilities of your Clive Drive interface! With PEEK-POKER loaded, the machine code of any program frozen by pressing the Keymaster button can be inspected or changed. Carry out the many "pokes" listed in the popular magazines, for example to give infinite lives to your favourite game!

"PEEK-POKER" ...

OPERATING INSTRUCTIONS

- ... displays, in a window in the existing screen, the machine code at any area in main or interface memory, RAM or ROM.
- ... can change any value in main or interface RAM.
- ... can quit to the normal Keymaster mode, and then resume execution of or save the frozen program, etc.
- ... can search for the next occurrence of a specified string throughout the main or interface memory.
- ... can display or change any of the Z80 registers.
- ... can begin executing from any point in memory.
- ... resides in the interface RAM until overwritten by another overlay utility or until power is removed, without having to save to or restore data from disk.

To load "PEEK-POKER" simply insert the disk in drive 1 and press RUN and ENTER (after power up or reset).

To call up "PEEK-POKER" simply press the Keymaster button and then press "7". The yellow "PEEK-POKER" window will appear at the top of the screen. Of the various commands listed later, pressing "Q" for quit returns to the Keymaster mode.

This site uses cookies from Google to deliver its services, to personalize ads and to analyze traffic. Information about your use of this site is shared with Google. By using this site, you agree to its use of cookies.

[LEARN MORE](#) [GOT IT](#)

[Home](#) [Inventions](#) [Music](#) [Explore](#) [Faith](#) [Colour](#) [Quotes](#) [Food](#) [America](#)

Narnia

20140608

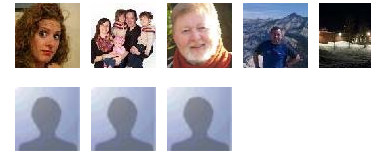
Clive Drive



Many years ago I started Microlite by designing an external disk drive interface for the ZX Spectrum. The Spectrum was one of the first home gaming computers in the UK. The firm I was working for had a bunch of Quick-Disk drives gathering dust so hired me to design the interface.

FOLLOWERS

Followers (9) [Next](#)



[Follow](#)

BLOG ARCHIVE

- ▶ 2017 (30)
- ▶ 2016 (107)
- ▶ 2015 (80)
- ▼ 2014 (84)
 - ▶ December (11)
 - ▶ November (8)
 - ▶ October (4)
 - ▶ September (6)
 - ▶ August (8)
 - ▶ July (8)
 - ▼ June (17)
 - Asbestos in 1920

This site uses cookies from Google to deliver its services, to personalize ads and to analyze traffic. Information about your use of this site is shared with Google. By using this site, you agree to its use of cookies.

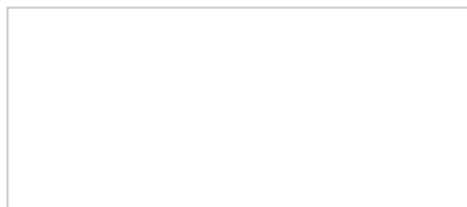
[LEARN MORE](#) [GOT IT](#)



The Quick-Disk comprises a 2.8" floppy platter with a single spiral track rather like a record. To access data the drive traverses the whole track (48K-bytes) and this takes 8 seconds. You can turn the disk over to avail of a second 48K-bytes worth. The drive included a read/write head amplifier but no other processing.

The interface hardware was novel in that it used simple logic (TTL gates and registers) and the processing power of the Spectrum's Z80 microprocessor to decode or encode the drive data on the fly.

And then there was the necessary software. It was necessary to reverse engineer the Spectrum's operating system in order to integrate the disk drive and provide the necessary new commands to operate it. All this was done on a 80286 desktop running MSDOS - long before Windows or the internet. My best companion during this period of sheer hard graft was Dickens' *Spectrum Advanced User Guide*.



[Song of Albion 3](#)

[Beautiful Ireland](#)

[Rhaetian Railway](#)

[Class inversion](#)

[Do you see too?](#)

[Oldtown Naas](#)

[Clive Drive](#)

[Do you see?](#)

[70 years since](#)

[56K](#)

[Song of Albion 2](#)

[My favourite colour is yellow](#)

► [May \(4\)](#)

► [April \(2\)](#)

► [March \(3\)](#)

► [February \(7\)](#)

► [January \(6\)](#)

► [2013 \(82\)](#)

► [2012 \(92\)](#)

► [2010 \(13\)](#)

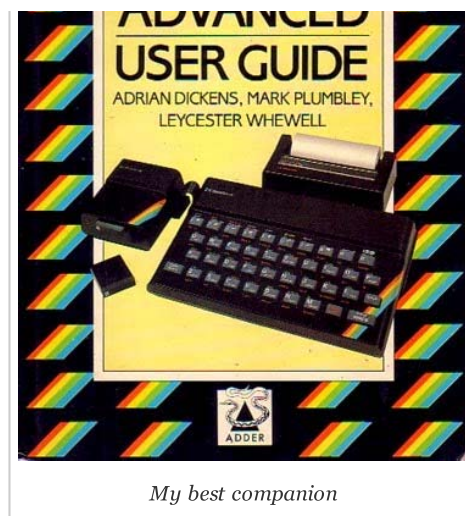
ABOUT ME

IRISH DODO

[VIEW MY COMPLETE PROFILE](#)

This site uses cookies from Google to deliver its services, to personalize ads and to analyze traffic. Information about your use of this site is shared with Google. By using this site, you agree to its use of cookies.

[LEARN MORE](#) [GOT IT](#)



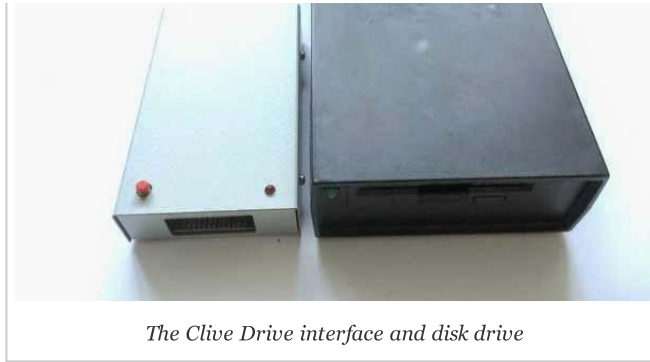
Thus I wrote a disk operating system or DOS. Others have made millions by so doing - I can't remember what I charged but it certainly did not make me rich, but it did kick-start my business and so I am eternally grateful to Clive, and to John my client, for the opportunity they gave me.

The final *Clive Drive* was technically a success. A mere 8 seconds to load a game was much better than many minutes with a cassette recorder and the interface supported hacking via the "Keymaster" button. But regrettably the product was not well advertised and was launched towards the end of the Spectrum's lifetime, so I doubt if my client ever recouped his costs.

Surprisingly the world still remembers the *Clive Drive* - so it wasn't all a dream after all! I found this picture and a couple of links [here](#) and [here](#) on the internet. The red button is the "Keymaster" button.

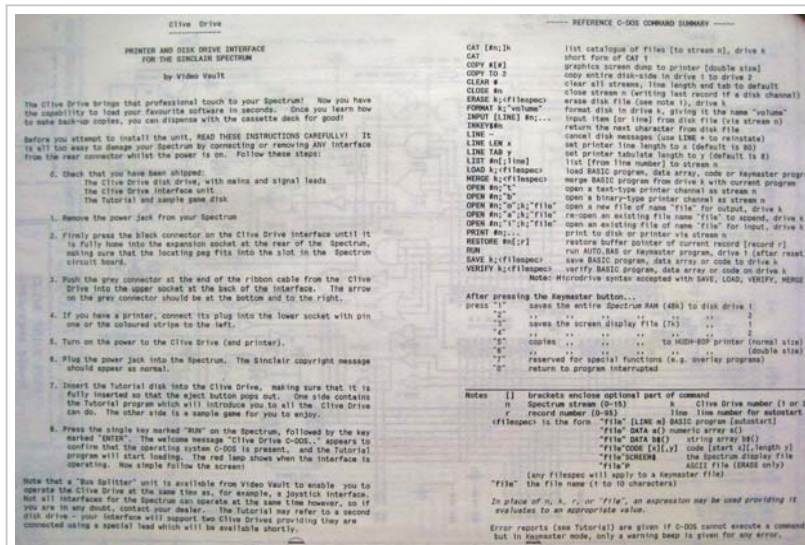
This site uses cookies from Google to deliver its services, to personalize ads and to analyze traffic. Information about your use of this site is shared with Google. By using this site, you agree to its use of cookies.

[LEARN MORE](#) [GOT IT](#)



The Clive Drive interface and disk drive

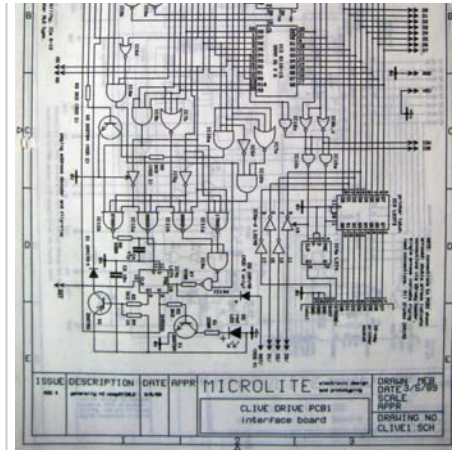
For those interested here are some photographs of circuit schematics and operating instructions which, I regret, I no longer have in digital format. Click on a picture to enlarge it.



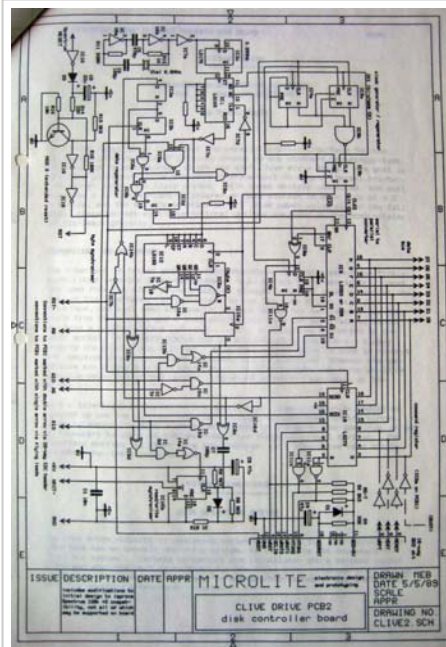
First page of Clive Drive operating instructions

This site uses cookies from Google to deliver its services, to personalize ads and to analyze traffic. Information about your use of this site is shared with Google. By using this site, you agree to its use of cookies.

[LEARN MORE](#) [GOT IT](#)



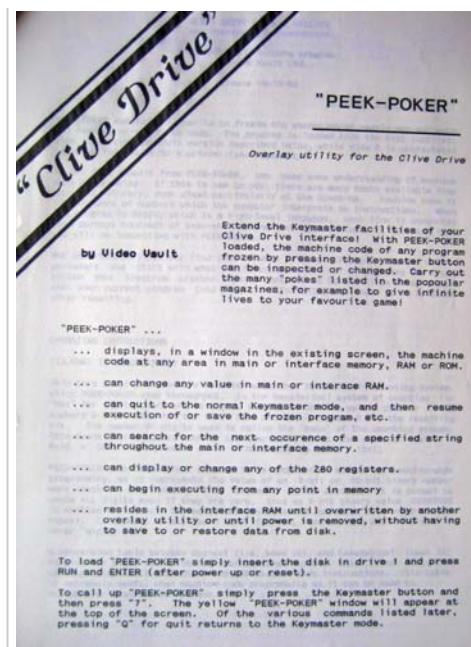
Schematic page 1



*Schematic page 2 -
the disk drive connector is at the bottom*

This site uses cookies from Google to deliver its services, to personalize ads and to analyze traffic. Information about your use of this site is shared with Google. By using this site, you agree to its use of cookies.

[LEARN MORE](#) [GOT IT](#)



*"Peek-Poker" used the Keymaster button
to freeze a game and offer various
debugging / hacking commands.*

POSTED BY IRISH DODO AT 20:52
LABELS: BILL GATES, CLIVE DRIVE, CLIVE SINCLAIR, DOS, QUICK DISK,
SPECTRUM 48K, ZX SPECTRUM

2 COMMENTS:



Peter 9 September 2015 at 13:16

So the links you've included are about some old stock drives and not some recent remake? I was not aware of this drive and I find it rather interesting. Congratulations on your work.

This site uses cookies from Google to deliver its services, to personalize ads and to analyze traffic. Information about your use of this site is shared with Google. By using this site, you agree to its use of cookies.

[LEARN MORE](#) [GOT IT](#)

so could not easily reproduce it, even if I found a supply of quick-disk drives. Do you still use the Spectrum?

Reply

Enter your comment...

Comment as: Unknown (Goo. ▼) Sign out

Publish Preview Notify me

[Newer Post](#)

[Home](#)

[Older Post](#)

Subscribe to: [Post Comments \(Atom\)](#)

00025826

00025827